



V-GREEN

PROPOSAL FOR COOPERATION TO DEVELOP CHARGING STATIONS





54 INTERNATIONAL ESCALATOR
SCHOOLS WITH 48,000 STUDENTS

29 GRAND-SCALE LUXURY URBAN
DEVELOPMENT PROJECTS

30 HOTELS WITH 11,403 ROOMS
NATIONWIDE

01 INTERNATIONAL NON-PROFIT
UNIVERSITY

05 GOLF COURSES WITH 90 HOLES

07 ENTERTAINMENT/ AMUSEMENT
PARKS

03 CAR-MANUFACTURING FACTORIES
IN VIETNAM, INDIA AND
INDONESIA

08 INTERNATIONAL HOSPITALS

83 MEGAMALLS



VINFAST



Selling car brand in Vietnam,
surpassing both Hyundai and Toyota



Taxi service



Ride-hailing App Position

In Vietnam Within 12 Months
Since Launched

51.000

Cars sold in
the first 10 months of 2024



Best-in-Class Operator
By Facts and Customer Rating

CO₂

For every month, GSM's CO₂ Emissions
Reduction is equal to 352 millions
photosynthesis trees in one day



VINFAST

Launching Events in Indonesia



VF 3

Launch February





VF5

Life has never
been this **colorful**

Dimension (LxWxH) (mm)
3.967x1.723x1.578

Wheelbase (mm)
2.514

Maximum Torque (Nm)
135 Nm

Fast Charging Time (10 - 70%)
34 Minutes

Maximum Power
70 kW (94 Hp)

Range per Full Charge (Km) - according to NEDC standards
<260



VF-e34



Convenient In Every Ride

Versatile, Practical, Eco-friendly

VF e34 is an electric C-SUV with stylish sporty design that offers maximum comfort for every family member with spacious interior.



Power adjust & power folding
outside rear view mirror



165mm
High ground clearance



18-inch
alloy wheels

Smart Choice for Family

The unbound comfort made with powerful and smooth performance that combined with extensive safety and smart infotainment system.

318.6km

Driving Range on full charge
(NEDC standard)

27 Minutes

Fastest charging time
(10-70%)

148HP & 242Nm

of power and torque for smooth
and responsive drive



VF6



VF7

UPCOMING MODELS



VF8



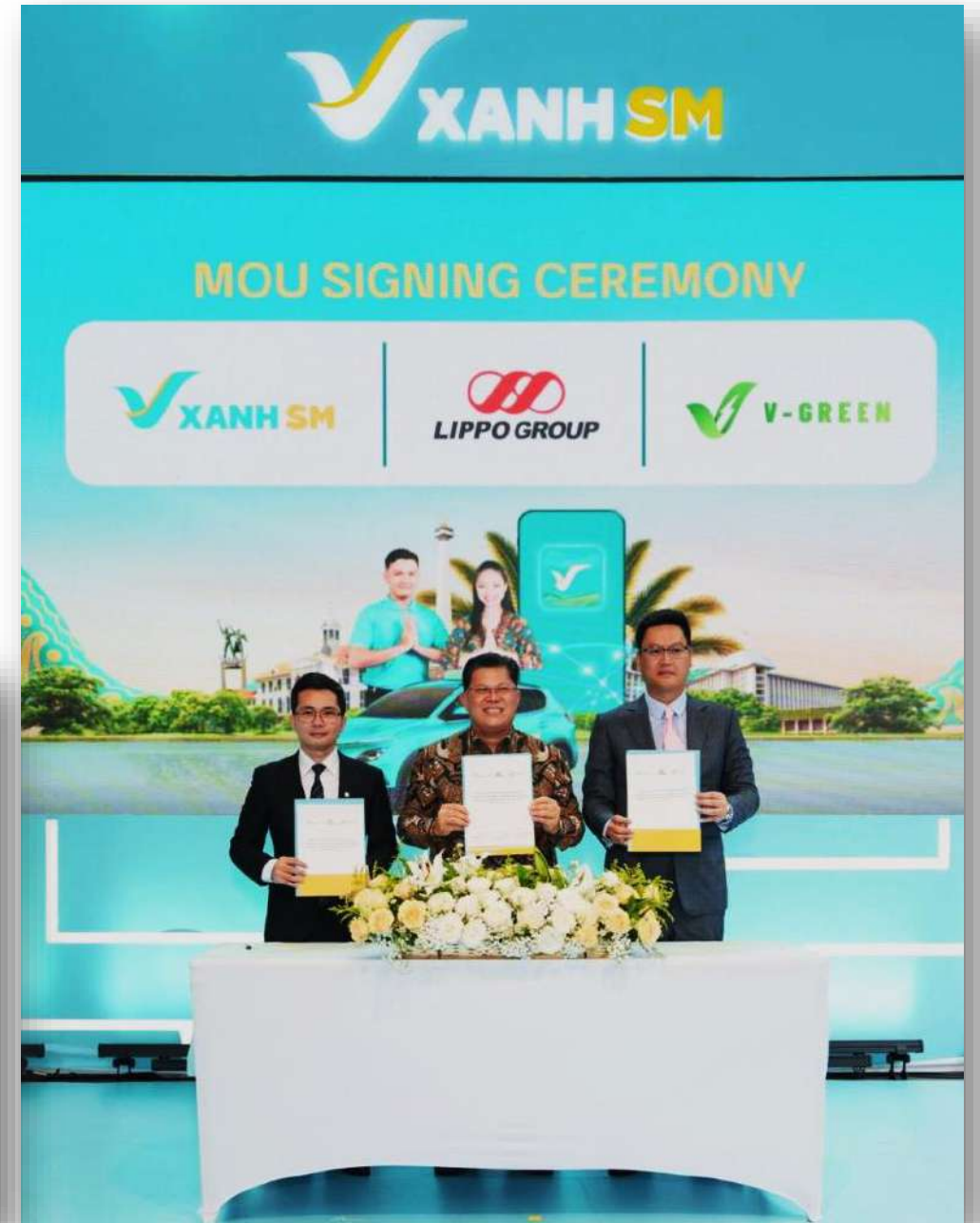
VF9

CHARGING COMPARISON

Charging Model		VF3	Vfe34	VF5
Battery Capacity				
		18.6	41.9	29.6
	<i>DC20 (Fast Charging)</i>	40min.	1h28min.	1h3min.
	<i>DC30 (Fast Charging)</i>	32min.	59min.	42min.
	<i>DC60 (Ultra-Fast Charging)</i>	32min.	30min.	21min.



GreenSM Taxi Indonesia Launching Event



GreenSM Taxi Depo



PIK 1 Taxi Depo



Cinere Limo Taxi Depo



Taxi Depo



Menteng Mini Depo



Setiabudi Mini Depo

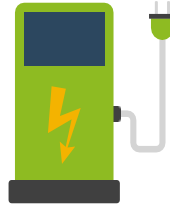
GreenSM Taxi Depo and Mini Depo



VinFast's charging station in Vietnam



2.500
Charging stations
nationwide



150.000
Charging ports for
electric cars and
e- scooters



Available in **63/63**
provinces/cities



Charging Specifications



DC20kW



DC30kW



DC60kW

Product Information

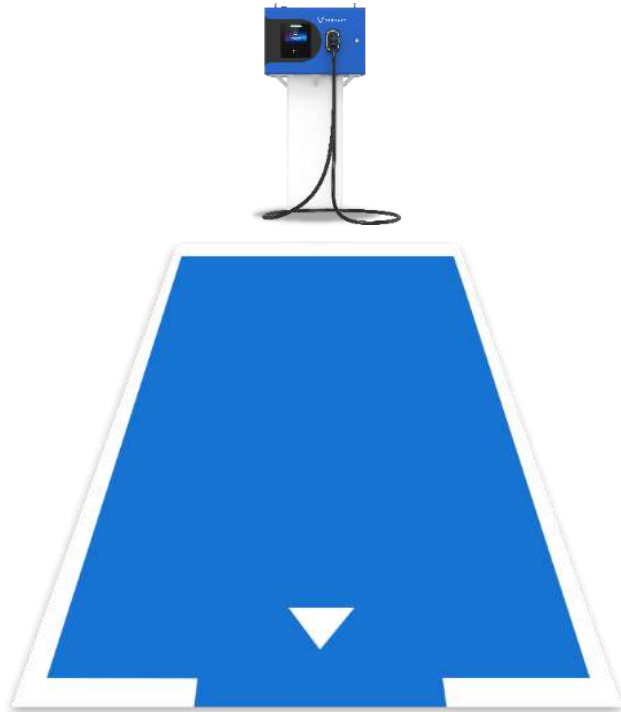
Input Voltage	400VAC \pm 10%, 50/60Hz, 3 Phase + N + PE
Input Rating	21kW
Input Current	32A
Output Voltage	150~1000VDC
Output Rating & Current	20kW, 55A
Dimensions	H490 x W740 x D396mm
Weight	\leq 100kg
Cable Length	\geq 6m

Product Information

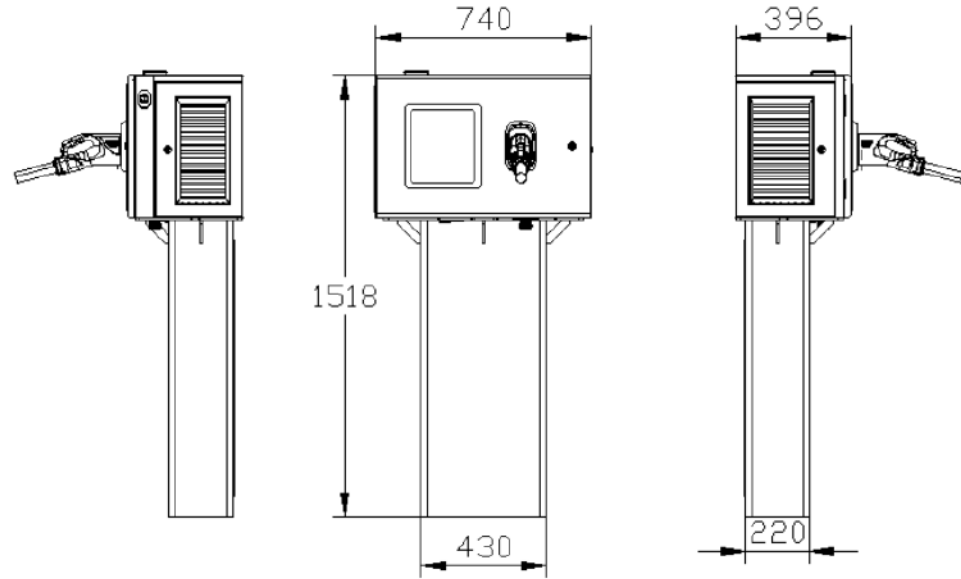
Input Voltage	400VAC \pm 10%, 50/60Hz, 3 Phase + N + PE
Input Rating	32kW
Input Current	48A
Output Voltage	150~1000VDC
Output Rating & Current	30kW, 80A (Max)
Dimensions	H490 x W740 x D396mm (No columns)
Weight	\leq 100kg
Cable Length	\geq 5m

Product Information

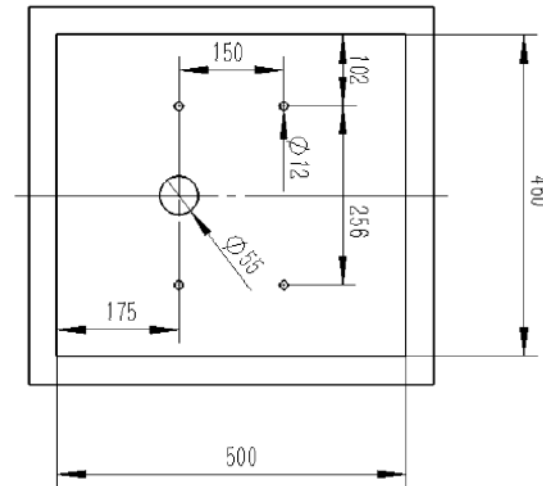
Input Voltage	400VAC \pm 10%, 50/60Hz, 3 Phase + N + PE
Input Rating	63kW
Input Current	96A
Output Voltage	150~1000VDC
Output Rating & Current	60kW, 200A + 200A
Dimensions	H1650 x W720 x D400mm
Weight	\leq 250kg
Cable Length	\geq 6m



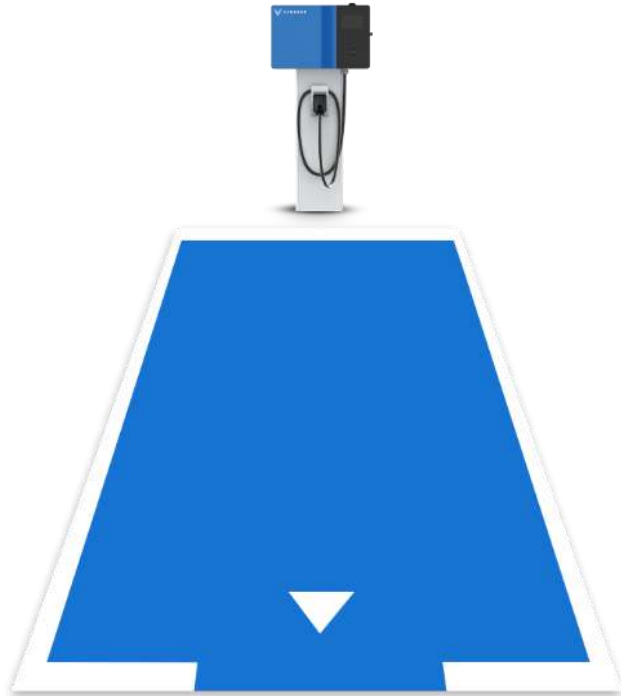
**DC 20kW with
1 parking slot**



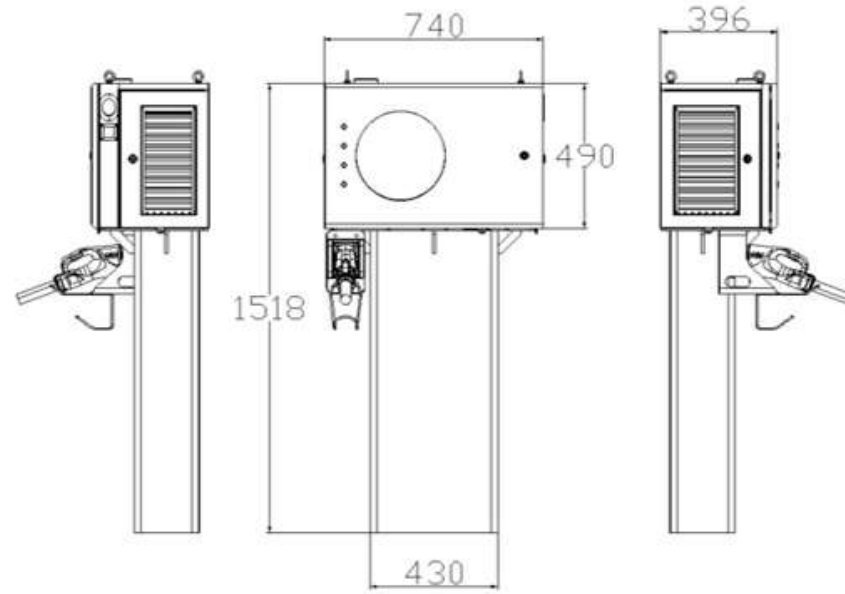
**Charging
Machine**



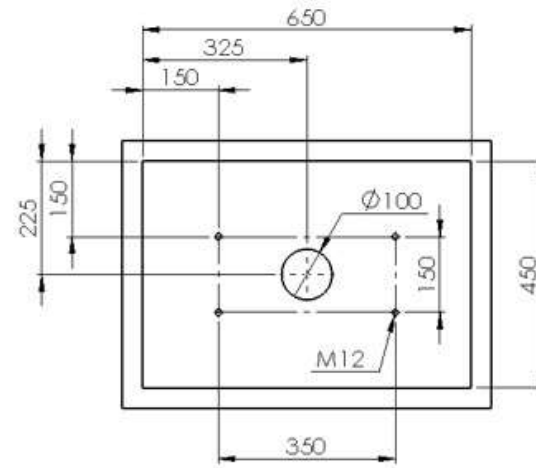
**Charging
Foundation**



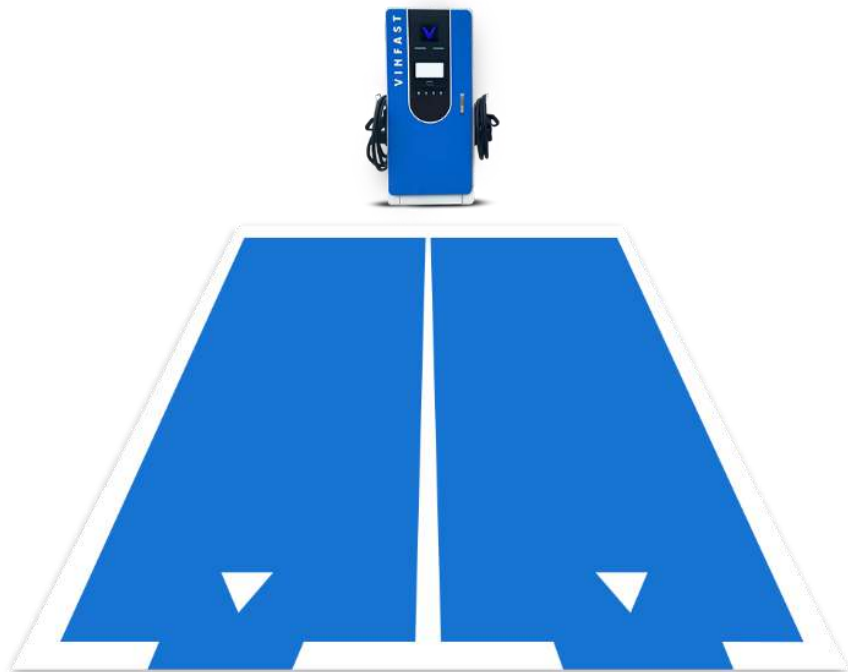
**DC 30kW with
1 parking slot**



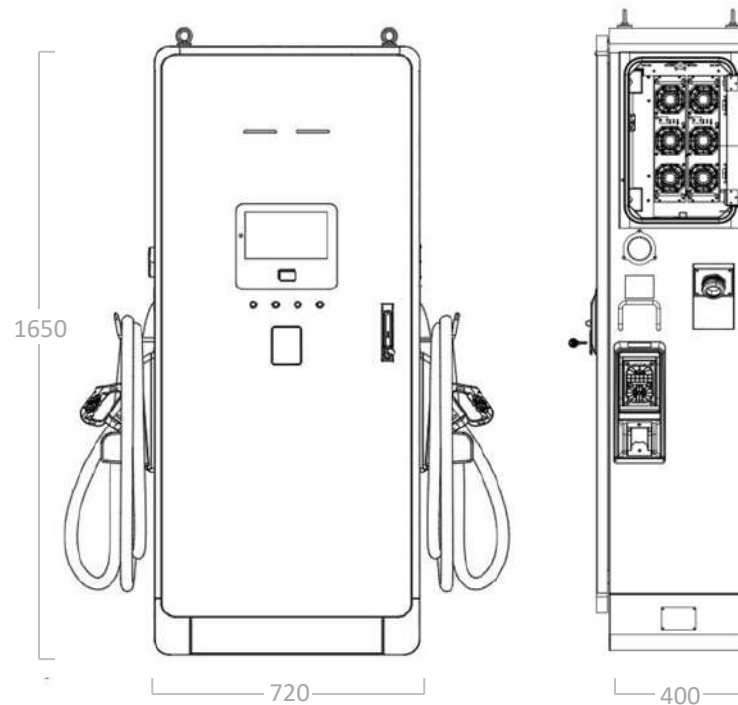
**Charging
Machine**



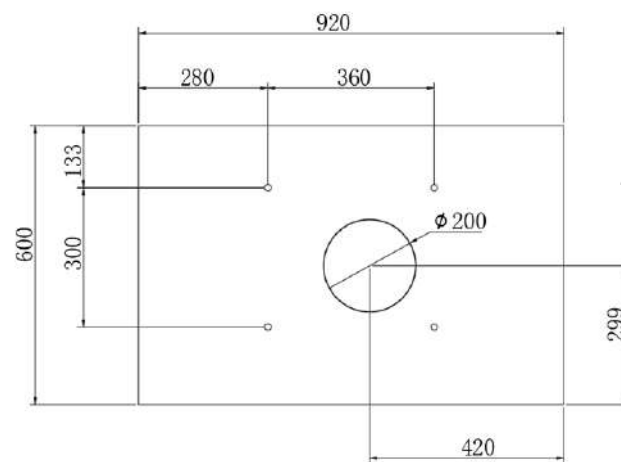
**Charging
Foundation**



**DC 60kW with
2 parking slot**



**Charging
Machine**



**Charging
Foundation**

SAFETY TECHNICAL

- On each charging post, there is a protection system against leakage current: When there is an electric leak, lightning spread, flooding... The system automatically cuts off power through the Contactor, CB system...
- Charging ports with air-conditioning/cooling and ventilation systems: Ensure equipment is operating according to standards.
- There is a warning sensor system: temperature, voltage, current, leakage current ... When detected, there will be a warning about the system, notification to the technical operation email. When the condition exceeds the threshold, it will automatically disconnect and stop working.
- Follow strictly the current regulation from the Government including but not limited to the Fire prevention fighting, PLN and Ministry of Energy and Mineral Resources

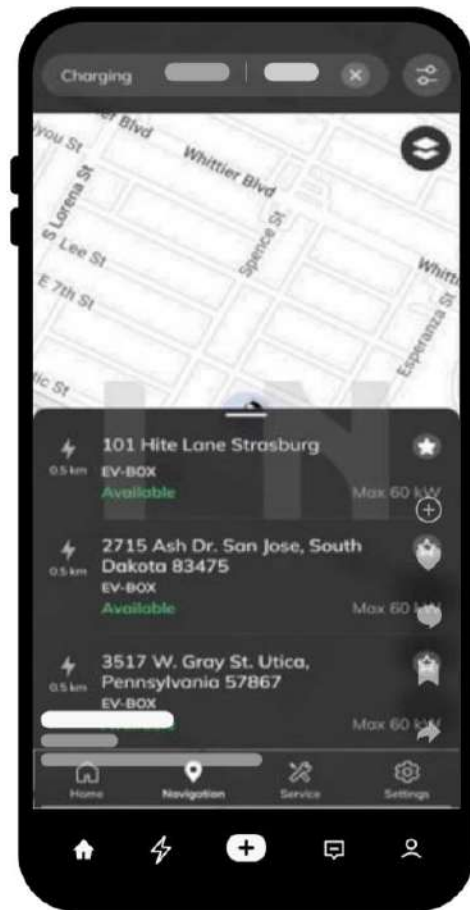


VINFAST APP

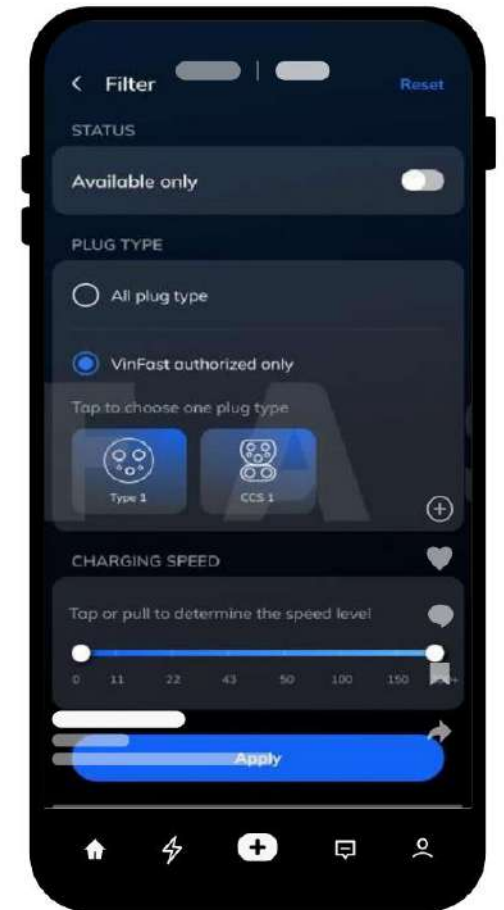
Find Charging Station



Search for a charging station by tapping the “Charging” in Navigation



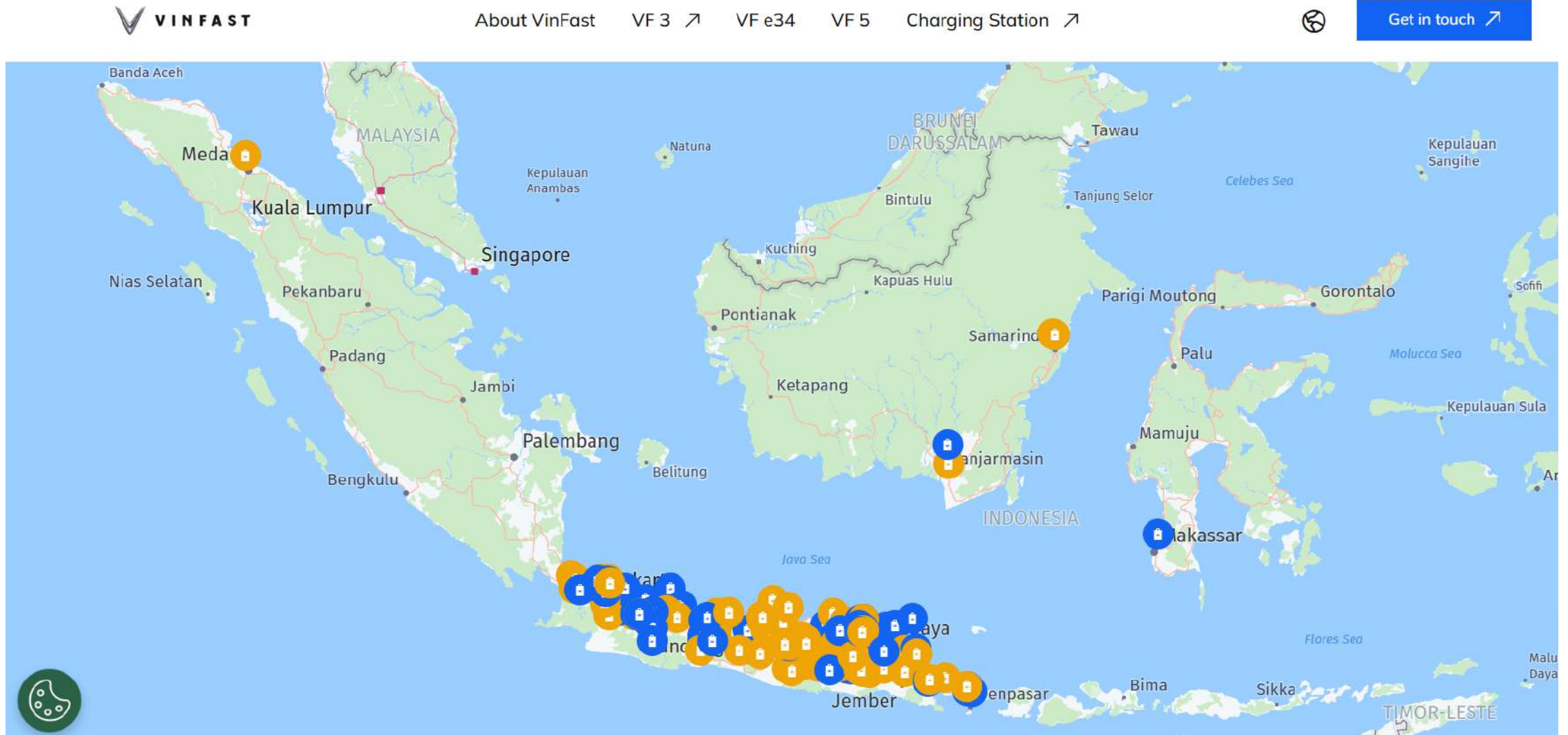
The app displays a list of the nearest charging stations



Use the filter to find the charging station according to your desired criteria

VINFAST WEB

Find Charging Station at : <https://vinfastauto.id/find-us>



Our Partners





V-GREEN

Thank you!

V-Green Support Team

Ariyadi Y Purnomo
Head of Business Development
Email: v.ariyadiyp@vgreen.net